



## Ceiling Bendable Silent Curtain Track Curved For Shower Room

Our Product Introduction

for more products please visit us on [intelligentwindowblinds.com](http://intelligentwindowblinds.com)

### Basic Information

- Place of Origin: KEEWO
- Brand Name: Guangdong, China
- Model Number: I100
- Minimum Order Quantity: 1pcs
- Price: \$3.60/meters 1-499 meters
- Packaging Details: Packaging can be customized according to your needs
- Delivery Time: 5-8 work days
- Payment Terms: L/C, T/T, D/P
- Supply Ability: 500sets/wkd



### Product Specification

- Type: Curtain Poles, Tracks & Accessories
- Design Style: Contemporary
- Curtain Poles, Tracks & Accessories Type: Curtain Tracks
- Material: Metal, Aluminum Alloy
- Metal Type: Aluminum
- Item: Curved Curtain Poles, Tracks
- Feature: Curved Curtain Tracks For Bay Window
- MOQ: 1 Set
- Delivery Time: 2-5days
- Length: Customized Length.more Than 2.5m,need Use The Connector
- Packing: Carton Package
- Accessories: Included Runner ,bracket,end Cap
- Bracket Type: Ceiling/wall Bracket;single/double Bracket
- Color: White/Black/Champagne/Silvery White



### More Images



## Product Description

Ready ship shower room decorative ceiling bendable tracking rail curved curtain poles,track

### Detailed Images

name	I100	material	material
color	ivory white	size	5.8m/pcs,6.6m/pcs
technology	electrophoresis,Transfer wood grain	accessories	one set with 6 pcs end caps,12 pcs install brackets ,48 pcs runners





Strengthen the  
bearing capacity



Thickened wall  
rail



Nano mute



High quality  
aluminum



free bending



Multi-color  
choice

## Product parameters

Series: I100 Curved rail

Color: Ivory, extinction champagne,  
extinction blue, Silver white

Technologies: Electrophoresis

Material : JMA aluminum

Thickness : 1.2mm

Rail type: Straight rail,Curved rail (Free bending)

1.1 piece = 1 meter.How many meter you need,just take Corresponding piece . The price for double rail is twice than the single rail.

2. If the purchased quantity is not an integer, we can change the price for you (measurement size \* 1 meter unit price = actual price). Less than one meter is counted as one meter.

3. If the rail is more than 2.9 meters, it shall be cutted into two pieces when deliver it, and will give the connectors for connection. It will not affect the use.

4.1 set with two seals, one meter with two mounting codes, eight running beads and two sets of screw rubber plugs

## Rail design

Type I design, strong bearing capacity, corrosion resistance, rust resistance, strong and durable.

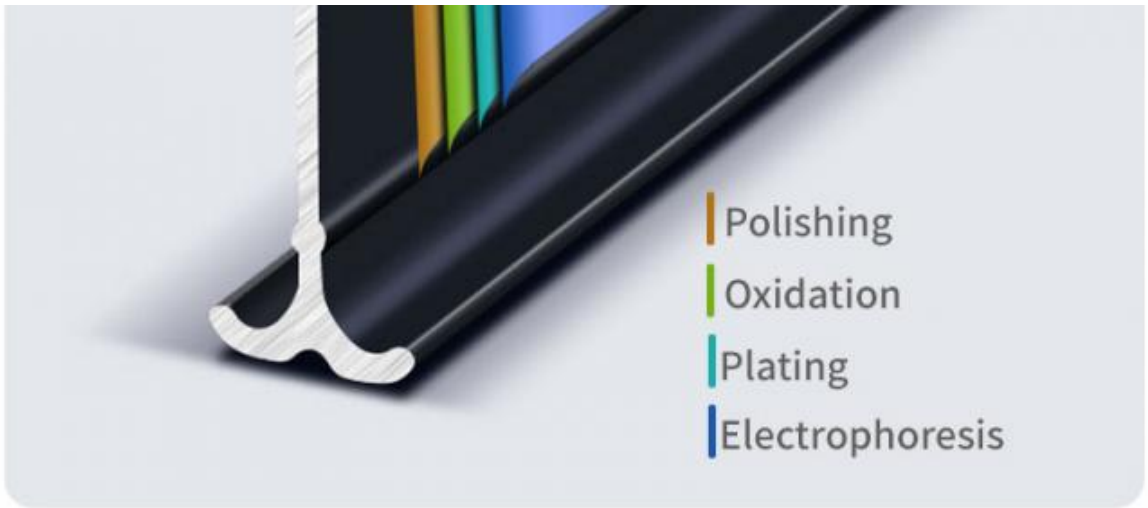




## Surface technology

Jianmei electrophoretic technology, pure color, no fading  
The color treatment comes from the Jianmei matte electrophoresis process  
The surface is frosted.





On-site bending;  
When you bend the rail, it is better to bend the rail at once.



L-Bend



U-Bend



Trapezoidal  
bending



Arched  
bending

## Selected materials

Deep processing technics and pure color  
Strong adhesion, no fading, anti-oxidation

- 1 Alloy sealing
- 2 JMA aluminum
- 3 Nano silent pulley



Physical display

Ivory



Extinction champagne





| extinction blue



| silver white



## Fitting display

Single top code



Unilateral code



Bilateral code



L-type concatenated codes



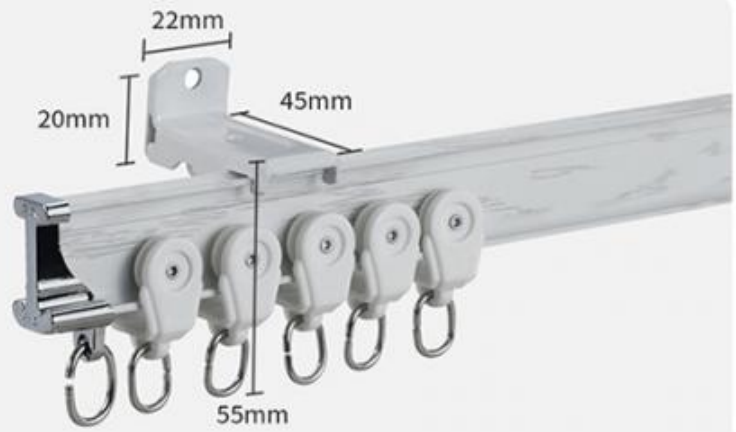
L-type triple code



## Installation Method

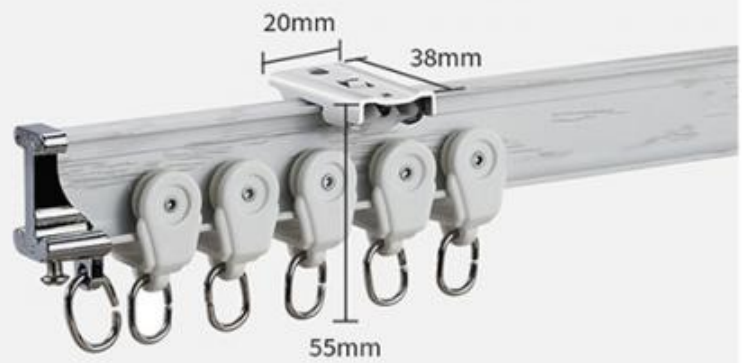
NO.1

single rail side  
mount



NO.2

single rail top  
mount



NO.3

double rails  
top mount

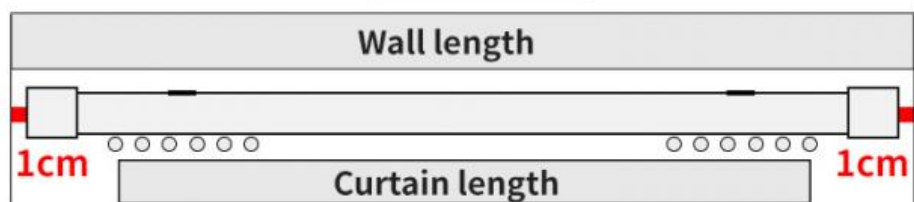




## Size recommendations

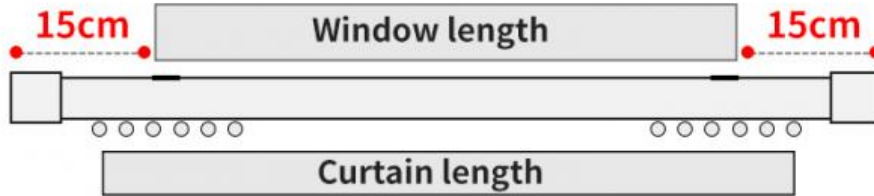
Warm tips: any size can be customized, if necessary, please contact customer service.

**01**



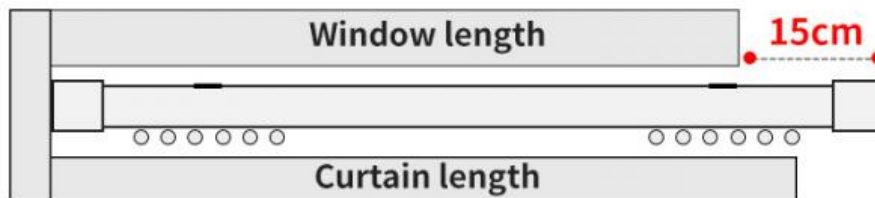
Reduce 1cm gap at both ends of the whole wall  
For example: the whole wall is 380cm, and the total length of rod + ending is 378cm

**02**



On the basis of the width of the window, there is about 15cm more on each side.  
For example: the width of the window is 180cm, and the total length of the rod + ending is about 210cm.

**03**



It is suggested that one side next to the wall should be provided with sealing and the other side should be equipped with decorative ending, the length of the side with decorative ending is increased by about 15cm.

**Tips:** the calculation formula of rod length has included the size of decorative ending! (customized products will not be returned or replaced if they are not the quality problems)

## Packing & Delivery





## Our company

Foshan City Keewo Window Decoration Co., Ltd. was established in 2004, specializing in the production of curtain rods and accessories, curtain tracks,blinds,curtains. The factory is located in Dajin Industrial , Foshan City, Guangdong Province, 51 kilometers from Guangzhou Tower. It takes about an hour by car to Guangzhou Tower. The factory covers an area of more than 15,000 square meters and has 100-200 employees. "Best quality, customer first, amazing service,reasonable price,continuous innovation" is the company's sole purpose.Everyone who bought it said it was of good quality. Shipment will be arranged within 7 days after payment.The current products are in stock, you can take the required size and quantity, color, and then just pay.If you have any confusion about the purchase, you can contact customer service at any time.The professional person will help you. The factory will also provide professional after-sales service. After receiving the product, if you have any questions, please contact customer service directly, we will always wait for you here.







## Our Service

---

- 1.A variety of styles for customers to choose.We already have more than 2000 types of curtain rods finials,brackets,rings and hooks.
  
- 2.We will design 8-10 new style finials every 3 month.
  
- 3.Customized is available. We can produce the curtain finials,brackets hooks according to customers' design.
  
- 4.All of the Curtain products are according to Strict quality monitoring.
  
- 5.Free samples can be provided.

## FAQ

---

**Q: Are you a factory or a trading company?**

**A: Yes we are ,our factory is located in FOSHAN city,GUANGDONG province.**

**Q: Can you provide free sample?**



**A: We provide existing samples for free, but freight will be paid by customers.**

**Q: What is the delivery time?**

**A: From 10 days to 45 days according to the order quantity.**

**Q: What's the payment terms ?**

**A: 30% T/T in advance, 70% balance paid before shipment.**

**Q: ODM&OEM or customer's logo printed is available?**

**A: Yes, ODM&OEM and customer's logo printed is welcomed.**



**Foshan City Keewo Window Decor Co., Ltd.**



17322734331



info@fsqiwo.com



intelligentwindowblinds.com

728 Industrial Zone, Jiansha Road, Danzao Town, Nanhai District, Foshan City